



3.2 mm x 2.5 mm Ceramic Low Noise SMD VCXO
LVCMOS/LVPECL/LVDS



I643 Series

Product Features

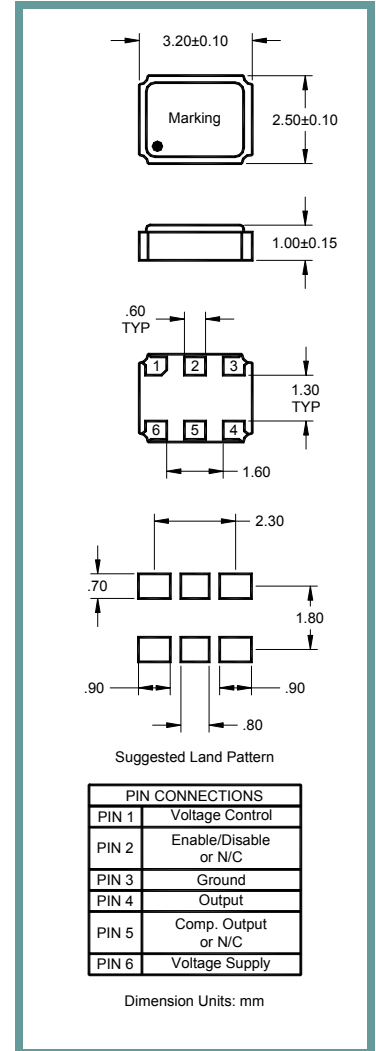
Small Surface Mount Package
Fast Sample Delivery
Fast Sample Delivery
Pb Free/ RoHS Compliant
Leadfree Processing

Applications

xDSL
Broadcast Video
Wireless Base Stations
Sonet /SDH
WiMAX/WLAN
Server and Storage

Ethernet/LAN/WAN
Optical modules
Clock and data recovery
FPGA/ASIC
Backplanes
GPON

Frequency LVCMOS LVPECL LVDS	10.000MHz to 250.000MHz 10.000MHz to 1500.000MHz 10.000MHz to 1500.000MHz
Output Level LVCMOS LVPECL LVDS	Logic "0" = 10% of Vcc max., Logic "1" = 90% of Vcc min. Logic "0" = Vcc-1.62V max., Logic "1" = 1.02 V min VOD = (Diff. Output) 350mV Typ.
Duty Cycle LVCMOS LVPECL LVDS	50% ±5% @ 50% of Vcc 50% ±5% @ 50%* 50% ±5% @ 50%*
Rise / Fall Time LVCMOS LVPECL LVDS	2.0 ns max. (10% to 90%)* 0.8 ns max. (20% to 80%)* 0.8 ns max. (20% to 80%)*
Output Load LVCMOS LVPECL LVDS	15pF 50 Ω to Vcc - 2.0 VDC RL=100 Ω/CL= 5pF
Frequency Stability	See Table Below
Supply Voltage (Vcc)	+3.30 VDC ± 5%, +2.50 VDC ± 5%
Aging	±3.0 ppm max per year
Current	HCMOS = 45 mA max LVPECL = 90 mA max LVDS = 35 mA max
Linearity	10% max.
Pullability	See Table Below
Control Voltage	1.65 VDC ± 1.65 VDC @ 3.3V 1.25 VDC ± 1.25 VDC @ 2.5V
Input Impedance	50K Ω min.
Phase Jitter(RMS) At 12kHz to 20MHz	0.5 ps typical (12kHz to 20MHz)
Operating Temp. Range	See Table Below
Storage Temp. Range	-40° C to +85° C



Part Number Guide		Sample Part Number: I643-31AB9H2-155.520						
Package	Input Voltage	Operating Temperature	Stability (in ppm)	Pullability	Output	Enable / Disable (Pin 2)	Complimentary Ouput (Pin 5) **	Frequency
I643	3 = 3.3V	1 = 0° C to +70° C	F = ±20	B = ± 50	3 = LVCMOS	H = Enable	1 = N.C.	-155.520 MHz
	6 = 2.5V	2 = -40° C to +85° C	A = ±25	C = ±100	8 = LVDS	O = N/C	2 = Output	
		3 = -20° C to +70° C	B = ±50		9 = LVPECL			

NOTE: A 0.01 µF bypass capacitor is recommended between V_{DD} (pin 6) and GND (pin 3) to minimize power supply noise. * Measured as percent of waveform. ** Available on LVDS and LVPECL ouput only.



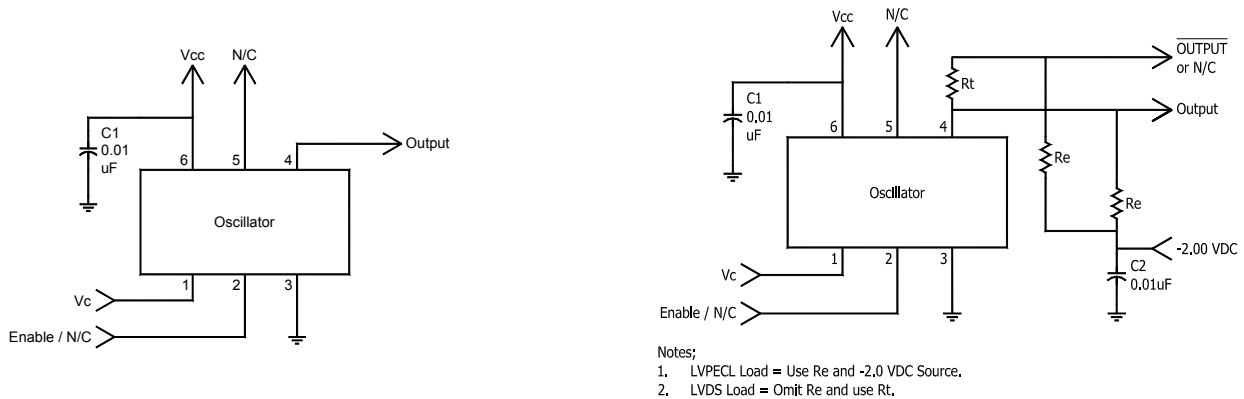
3.2 mm x 2.5 mm Ceramic Low Noise SMD VCXO
LVCMOS/LVPECL/LVDS

1643 Series

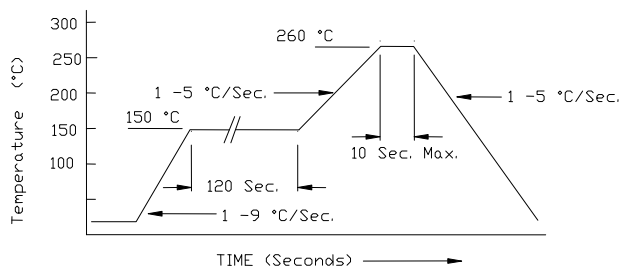
SSB Phase Noise (typ.)

Offset	77.76 MHz	155.52 MHz	622.08 MHz
10Hz	-75 dBc/Hz	-62 dBc/Hz	-47 dBc/Hz
100Hz	-105 dBc/Hz	-101 dBc/Hz	-79 dBc/Hz
1kHz	-117 dBc/Hz	-112 dBc/Hz	-100 dBc/Hz
10kHz	-123 dBc/Hz	-115 dBc/Hz	-104 dBc/Hz
100kHz	-125 dBc/Hz	-118 dBc/Hz	-106 dBc/Hz

Typical Application:



Pb Free Solder Reflow Profile:



*Units are backward compatible with 240C reflow processes

Package Information:

MSL = N.A. (package does not contain plastic, storage life is unlimited under normal room conditions).
Termination = e4 (Au over Ni over W base metallization).

**QUALITY SYSTEM
CERTIFIED
= ISO 9001 =**

ILSA America Phone 775-851-8880 • Fax 775-851-8882 • email: e-mail@ilsiamerica@com •
www.ilsiamerica.com

Specifications subject to change without notice

Rev: 01/23/17_B

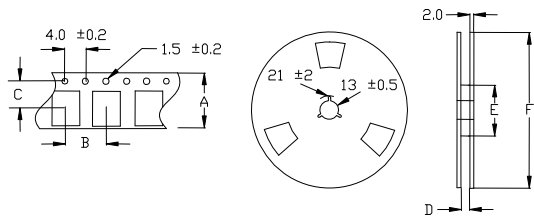
Page 2 of 3



3.2 mm x 2.5 mm Ceramic Low Noise SMD VCXO
LVCMOS/LVPECL/LVDS

I643 Series

Tape and Reel Information:



Quantity per Reel	3000
A	16 +/- .3
B	8 +/- .2
C	7.5 +/- .2
D	17.5 +/- 1
E	50 / 60 / 80
F	180 / 250

Environmental Specifications

Thermal Shock	MIL-STD-883, Method 1011, Condition A
Moisture Resistance	MIL-STD-883, Method 1004
Mechanical Shock	MIL-STD-883, Method 2002, Condition B
Mechanical Vibration	MIL-STD-883, Method 2007, Condition A
Resistance to Soldering Heat	J-STD-020C, Table 5-2 Pb-free devices (except 2 cycles max)
Hazardous Substance	Pb-Free / RoHS / Green Compliant
Solderability	JESD22-B102-D Method 2 (Preconditioning E)
Terminal Strength	MIL-STD-883, Method 2004, Test Condition D
Gross Leak	MIL-STD-883, Method 1014, Condition C
Fine Leak	MIL-STD-883, Method 1014, Condition A2, R1=2x10 ⁻⁸ atm cc/s
Solvent Resistance	MIL-STD-202, Method 215

Marking

Line 1: ILSI and Date Code (YWW)
Line 2: Frequency