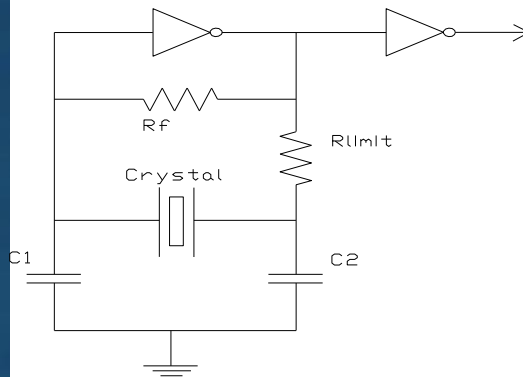




## ILSI LAUNCHES **NEW IL3W 1.6 x 1.0 x 0.50mm SERIES SUPER ULTRA MINATURE 32.768KHz WATCH CRYSTAL**



### **PRODUCT HIGHLIGHTS**

**1.6mm X 1.0mm X 0.50mm Ceramic SMD Package Size with two pads**

**32.768kHz**

**Shunt capacitance of 1.3pf typical**

**+/-20ppm at 25C standard frequency tolerance with other options available**

**Operating temperature range of -40 to +85 deg C**

**Load capacitance 12.5 pf standard with 7 pf and 9 pf available**

**Perfect for IoT applications**

**About ILSI America LLC:** Founded in 1987, ILSI America LLC has been a market leader in frequency control products for over 25 years. ILSI America LLC provides turnkey supply chain management solutions and engineering support for our frequency control products for our OEM customers and worldwide distribution partners. Please visit our website at [www.ilsiamerica.com](http://www.ilsiamerica.com) and [www.mmdcomp.com](http://www.mmdcomp.com) or please email us at [e-mail@ilsiamerica.com](mailto:e-mail@ilsiamerica.com). June '15

**GO TO [WWW.ILSIAMERICA.COM](http://WWW.ILSIAMERICA.COM) AND CLICK ON THE CRYSTALS ICON**

