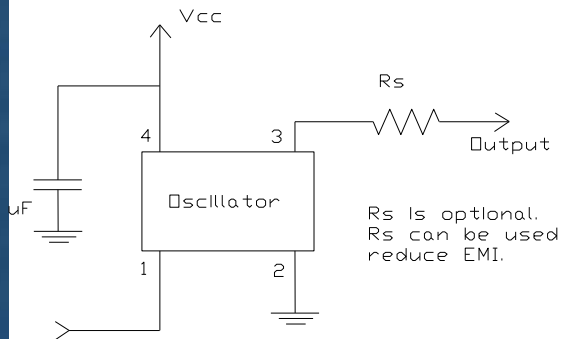
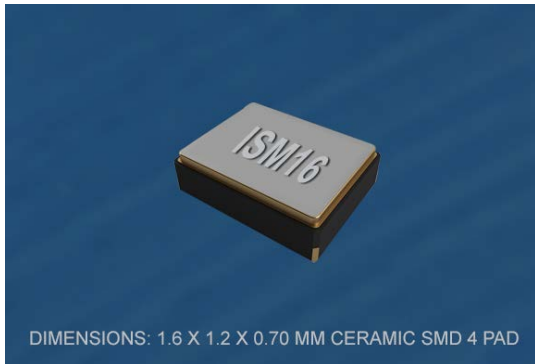




**ILSI LAUNCHES THE ISM16 SERIES SUPER ULTRA MINIATURE  
1.6 x 1.2mm LOW JITTER CMOS CLOCK OSCILLATOR**



**PRODUCT HIGHLIGHTS**

**1.6mm X 1.2mm X 0.70mm Ceramic SMD Package Size with four pads**

**Frequency range of 1.000mhz-80.000mhz**

**Supply voltages of 1.8v, 2.5v, and 3.3v available**

**Operating temperature range of -40 to +85 deg C**

**+/-25ppm frequency tolerance with other options available**

**CMOS output**

**Phase jitter of 1.0pSec max**

**Perfect for IoT applications**

**About ILSI America LLC:** Founded in 1987, ILSI America LLC has been a market leader in frequency control products for over 25 years. ILSI America LLC provides turnkey supply chain management solutions and engineering support for our frequency control products for our OEM customers and worldwide distribution partners. Please visit our website at [www.ilsiamerica.com](http://www.ilsiamerica.com) and [www.mmdcomp.com](http://www.mmdcomp.com) or please email us at [e-mail@ilsiamerica.com](mailto:e-mail@ilsiamerica.com). June '15

**GO TO [WWW.ILSIAMERICA.COM](http://WWW.ILSIAMERICA.COM) AND CLICK ON THE OSCILLATORS ICON**

