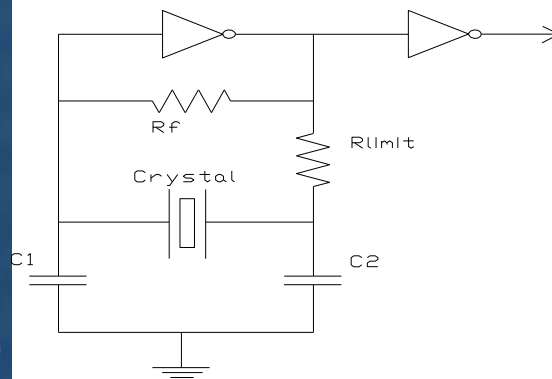
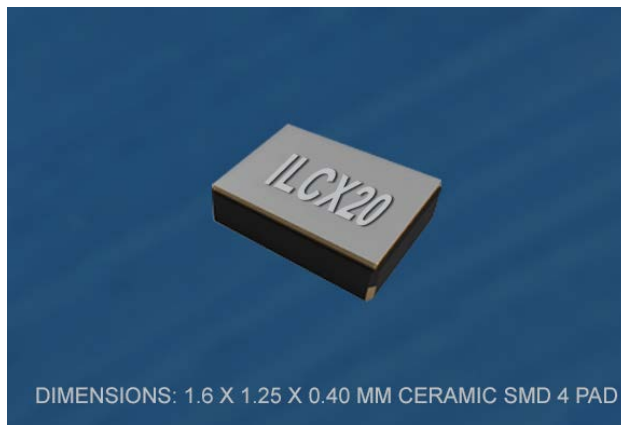




**ILSI LAUNCHES *NEW* ILCX20 SERIES 1.6 x 1.25 x 0.40mm
SUPER ULTRA MINIATURE ULTRA LOW PROFILE CRYSTAL**



PRODUCT HIGHLIGHTS

1.2mm X 1.6mm X 0.40mm Ceramic SMD Package Size with four pads

Frequency Range of 26mhz to 60mhz

Tolerance stabilities down to +/-10ppm

Operating temperature range of -40 to +85 deg C

Load capacitance of 8pf to 32pf

Perfect for IoT applications

About ILSI America LLC: Founded in 1987, ILSI America LLC has been a market leader in frequency control products for over 25 years. ILSI America LLC provides turnkey supply chain management solutions and engineering support for our frequency control products for our OEM customers and worldwide distribution partners. Please visit our website at www.ilsiamerica.com and www.mmdcomp.com or please email us at e-mail@ilsiamerica.com. May '15

GO TO WWW.ILSIAMERICA.COM AND CLICK ON THE CRYSTAL ICON

