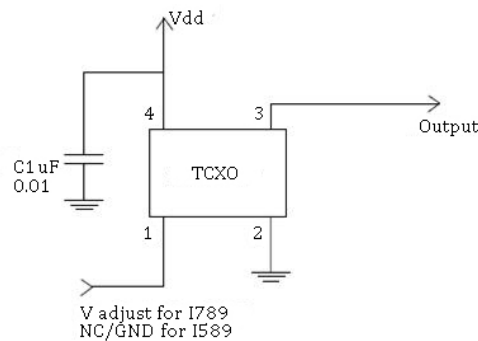




## ILSI LAUNCHES **NEW** I589/I789 SERIES TCXO/VCTCXO

### 2 x 1.6 x 0.80mm SUPER ULTRA MINIATURE LOW PHASE NOISE



#### **PRODUCT HIGHLIGHTS**

**2 X 1.6mm X 0.80mm ultra compact Ceramic SMD package size**

**High precision, GPS performance supported**

**Frequency range of 13.000mhz-52.000mhz, contact Sales Representative for developed or standard frequency's**

**Supply voltages of 1.8v, 2.7v, and 3.3v available**

**Low power consumption, Clipped Sine Wave output**

**Standard operating temperature range of -30 deg C to +85 deg C with -40 deg C to +85 deg C available**

**Also available in 2.5 X 2 X 1.1mm, 3.2 X 2.5 X 1.2mm SMD package sizes**

**Perfect for IoT**

**About ILSI America LLC:** Founded in 1987, ILSI America LLC has been a market leader in frequency control products for over 25 years. ILSI America LLC provides turnkey supply chain management solutions and engineering support for our frequency control products for our OEM customers and worldwide distribution partners. Please visit our website at [www.ilsiamerica.com](http://www.ilsiamerica.com) and [www.mmdcomp.com](http://www.mmdcomp.com) or please email us at [e-mail@ilsiamerica.com](mailto:e-mail@ilsiamerica.com). April '16

GO TO [WWW.ILSIAMERICA.COM](http://WWW.ILSIAMERICA.COM) AND CLICK ON THE TCXO ICON

