

MEMS Oscillator, Ultra Performance, LVCMOS/HCMOS Compatible, 1.00 MHz to 80.00 MHz IM810 Series

Features:

- MEMS Technology
- Direct pin to pin drop-in replacement for industry-standard packages
- Ultra-low phase jitter: 0.5 pSec (12 kHz to 20 MHz)
- LVCMOS/HCMOS Compatible Output
- Industry-standard package 2.5 x 2.0, 3.2 x 2.5, and 5.0 x 3.2 mm x mm
- Pb-free, RoHS and REACH compliant
- Fast delivery times

Typical Applications:

- Fibre Channel
- Server and Storage
- GPON, EPON
- 100M / 1G /10G Ethernet

Electrical Specifications:

Frequency Range	1.000 MHz to 80.000MHz	
Frequency Stability	See Part Number Guide	Inclusive of Initial Tolerance, Operating Temperature Range, Load, and Voltage.
First Year Aging	±1.5 ppm	At + 25°C ±2°C
10 Years Aging	±5.0 ppm	At + 25°C ±2°C
Operating Temperature	See Part Number Guide	
Supply Voltage (Vdd) ±10%	See Part Number Guide	
Current Consumption	31 mA typ./ 33 mA max 29 mA typ./ 31mA max	No load condition, F = 20 MHz, Vdd = +2.5 V, +2.8 V or +3.3 V No load condition, f = 20 MHz, Vdd = +1.8V
OE Disable Current	31 mA max 30 mA max	Vdd = +2.5 V, +2.8 V or 3.3 V, OE = GND Vdd = +1.8 V, OE = GND
Standby Current	70 µA max 10 µA max	Vdd = +2.5 V, +2.8 V or 3.3 V, \overline{ST} = GND Vdd = +1.8 V, \overline{ST} = GND
Waveform Output	LVCMOS/HCMOS	
Symmetry	45%/55%	50% of waveform
Rise / Fall Time	1.2 nSec typ./ 2.0 nSec max	15 pF Load, 10% to 90% of Vdd
Logic "1"	90% of Vdd min	
Logic "0"	10% of Vdd max	
Input Voltage High	70% of Vdd min	Pin 1, OE or \overline{ST}
Input Voltage Low	30% of Vdd max	Pin 1, OE or \overline{ST}
Input Pull-up Impedance	100 kΩ typ./ 250 kΩ max 2.0 MΩ min	Pin 1, OE logic high or logic low, or \overline{ST} logic high Pin 1, \overline{ST} logic low
Startup Time	7 mSec typ./ 10 mSec max	Measured from the time Vdd reaches its rated minimum values
OE Enable/Disable Time	150 nSec max	F = 80 MHz, For other frequencies, T _{oe} = 100 nSec = 3 cycles
Resume Time	6 mSec typ./ 10 mSec max	In standby mode, measured from the time \overline{ST} pin crosses 50% threshold.
RMS Period Time	1.5 pSec typ./ 2.0 pSec max 2.0 pSec typ./ 3.0 pSec max	F = 75 MHz, all Vdds
RMS Period Time (random)	0.5 pSec typ./ 1.0 pSec max	F = 10 MHz, Integration bandwidth = 12 kHz to 20 MHz

Notes:

- All min and max limits are specified over temperature and rated operating voltage with 15pF output unless otherwise stated.
- Typical values are at +25°C and nominal supply voltage.

Absolute Maximum Limits

Storage Temperature	-65°C to +150°C
Supply Voltage (Vdd)	-0.5 VDC to 4.0 VDC
Electrostatic Discharge	2000 V max
Solder Temperature (follow standard Pb free soldering guidelines)	260°C max
Junction Temperature	150°C max

Ordering Information:

Part Number Guide						
Packages	Input Voltage	Operating Temperature	Output Drive Strength	Stability (ppm)	Select Function	Frequency
IM810B – 5.0 x 3.2 IM810C – 3.2 x 2.5 IM810D – 2.5 x 2.0	1 = +1.8 V 6 = +2.5 V 2 = +2.8 V 7 = +3.0 V 3 = +3.3 V	1 = 0°C to +70°C 2 = -40°C to +85°C 3 = -20°C to +70°C	- = Default (see tables 2 through 4)	E = ±10 F = ±20 A = ±25 B = ±50	H = Tri-state S = Standby	- Frequency

Sample Part Number: IM810C-62-FS-10.0000MHz

This 10.0000 MHz oscillator in a 3.2 x 2.5 package with stability ±20 ppm from -40°C to +85°C using a supply voltage of +2.5 V. The Output Drive Strength (Rise and Fall Time) is 2.00 nSec per Table 3 with 30 pF load. With Pin 1 function as Standby

Sample Part Number: IM810B-23FAH-66.0000MHz

This 66.0000 MHz oscillator in a 5.0 x 3.2 package with stability ±20 ppm from -40°C to +85°C using a supply voltage of +2.8 V. The Output Drive Strength (Rise and Fall Time) is 1.29 nSec per Table 1 with 15 pF load. With Pin 1 function as Tri-state

Notes:

- Not all options are available at all frequencies and temperatures ranges.
- Please consult with sales department for any other parameters or options.
- Oscillator specification subject to change without notice.

Phase Noise:

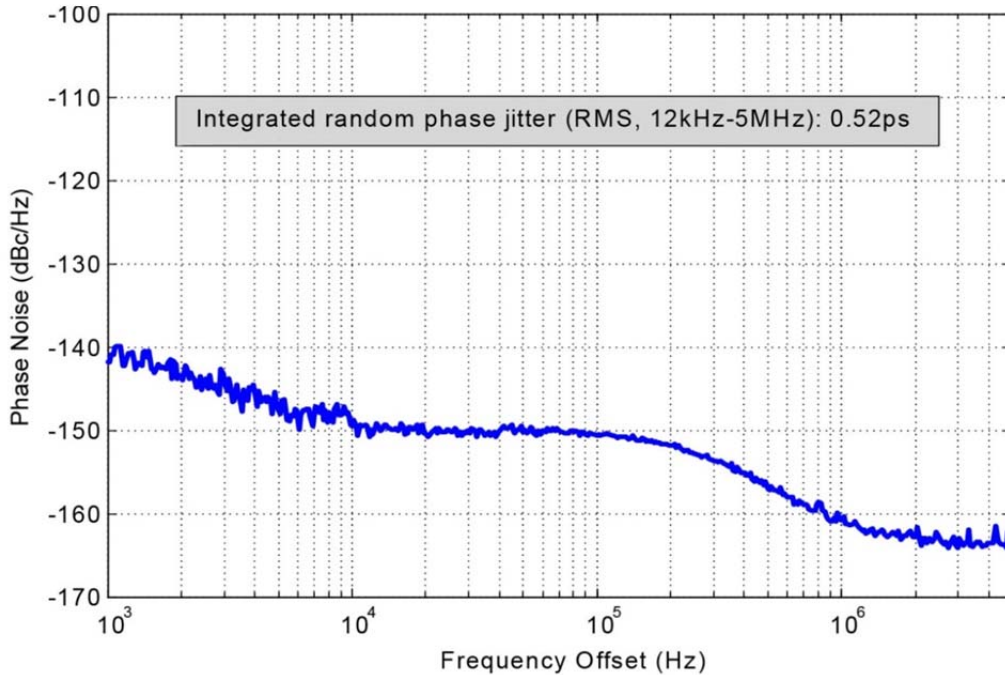


Figure 1: Phase Noise, 10 MHz, +3.0 V LVCMOS Output

Performance Plots:

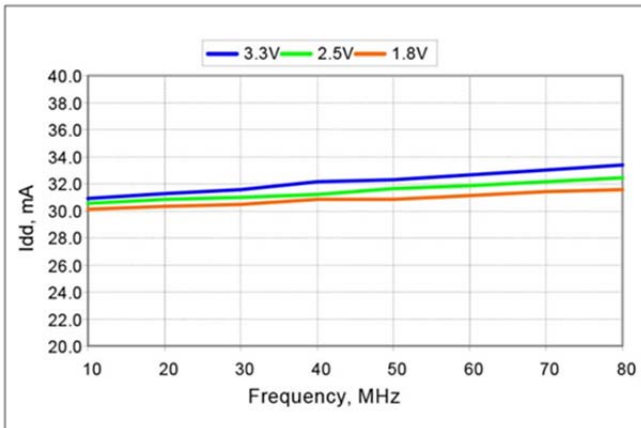


Figure 2: Idd vs Frequency

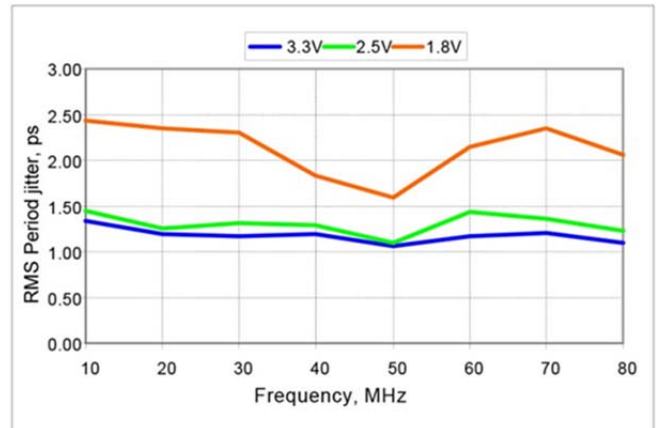


Figure 3: RMS Period vs Frequency

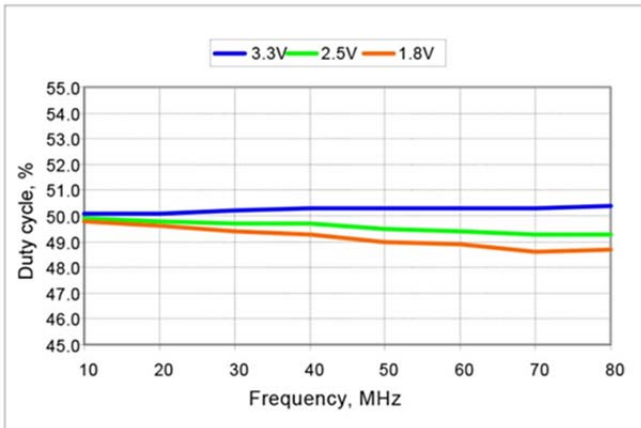


Figure 4: Duty Cycle vs Frequency

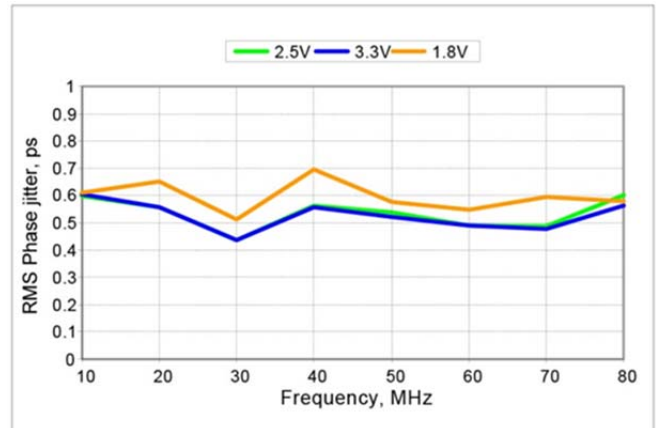


Figure 5: RMS Phase Jitter vs Frequency

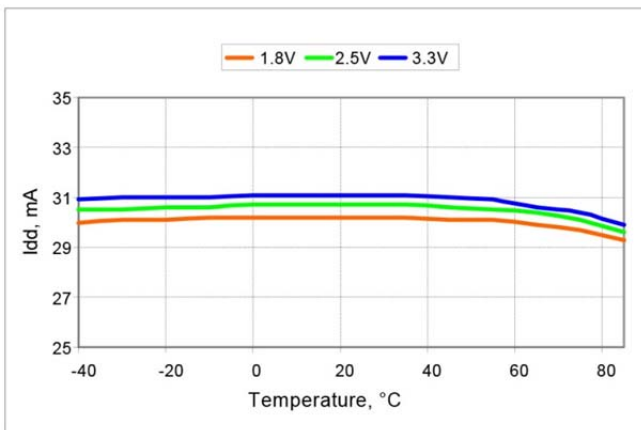


Figure 6: Idd vs Temperature, 10 MHz Output

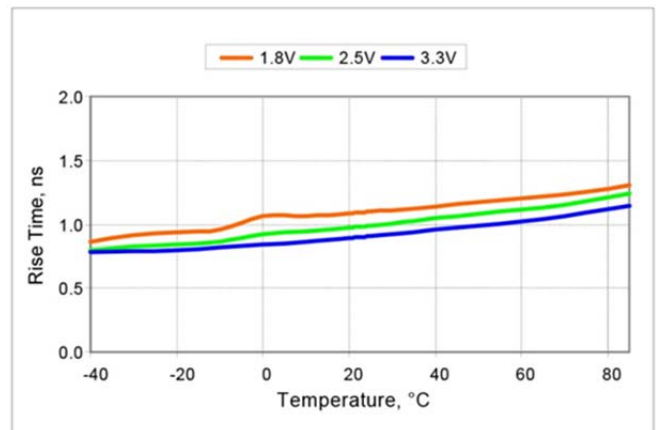
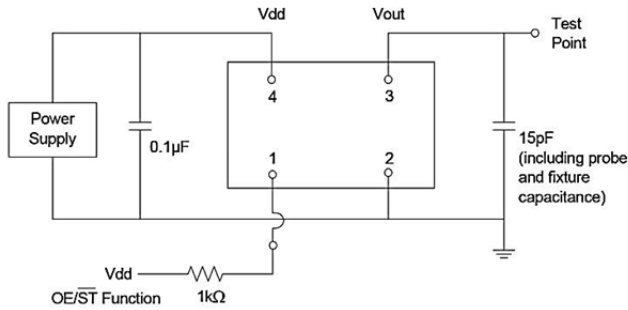
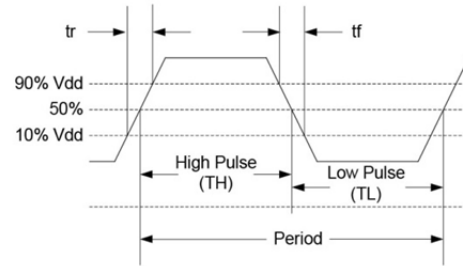


Figure 7: Rise Time vs Temperature, 75 MHz Output

Test Circuit



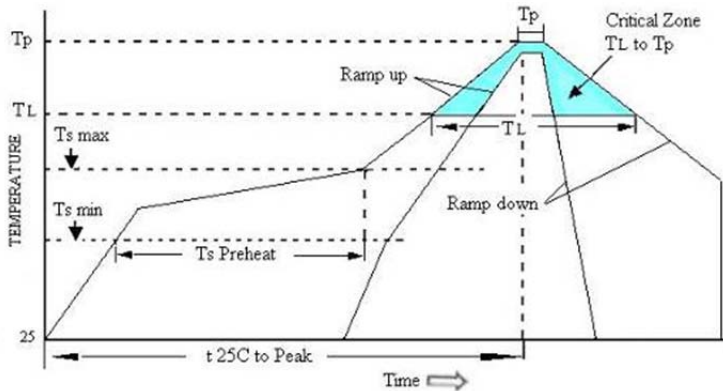
Waveform



Environmental Specifications:

Environmental Compliance	
Parameter	Condition/Test Method
Mechanical Shock	MIL-STD-883F, Method 2002
Mechanical Vibration	MIL-STD-883F, Method 2007
Temperature Cycle	JESD22, Method A104
Solderability	MIL-STD-883F, Method 2003
Moisture Sensitivity Level	MSL Level 1 at +260°C

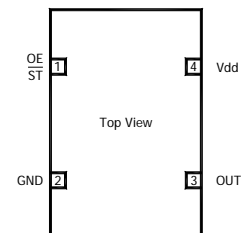
Pb Free Solder Reflow Profile



Units are backward compatible with +240°C reflow processes

Ts max to TL (Ramp-up Rate)	3°C / second max
Preheat	
Temperature min (Ts min)	150°C
Temperature typ (Ts typ)	175°C
Temperature max (Ts max)	200°C
Time (Ts)	60 to 180 seconds
Ramp-up Rate (TL to Tp)	3°C / second max
Time Maintained Above Temperature (TL)	217°C
Time (TL)	60 to 150 seconds
Peak Temperature (Tp)	260°C max for seconds
Time within 5°C to Peak Temperature (Tp)	20 to 40 seconds
Ramp-down Rate	6°C / second max
Tune 25°C to Peak Temperature	8 minute max
Moisture Sensitivity Level (MSL)	Level 1

Pin Functionality

Pin Description				Pin Assignments
Pin	Symbol	Functionality	Functionality	
1	OE	Tri-state	High or Open = specified frequency output Low = Output is high impedance, only output is disabled.	 <p>Top View</p> <p>Pin 1: OE/ST, Pin 2: GND, Pin 3: OUT, Pin 4: Vdd</p>
	\overline{ST}	Standby	High or Open = specified frequency output. Low = Output is low. Device goes to sleep mode. Supply current reduces to standby current.	
2	GND	Power	Electrical ground	
3	Out	Output	Oscillator output	
4	Vdd	Power	Power supply voltage	

Notes:

- In OE or \overline{ST} mode, a pull-up resistor of 10.0 k Ω or less is recommended if Pin 1 is not externally driven
- A capacitor of value 0.1 μ F or higher between Pin 4 (Vdd) and Pin 1 (GND) is required.

Timing Diagrams:

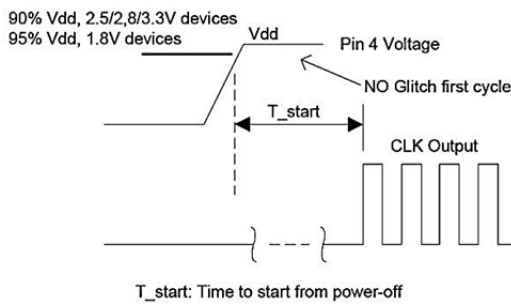


Figure 8: Startup Timing (OE/ST Mode)

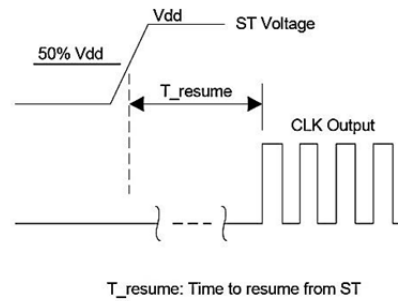


Figure 9: Standby Resume Timing (ST Mode Only)

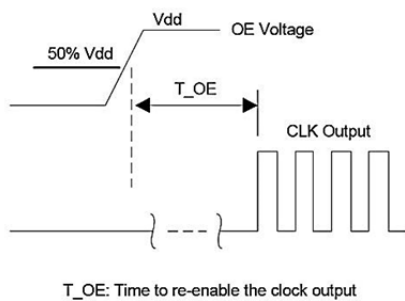


Figure 10: OE Enable Timing (OE Mode Only)

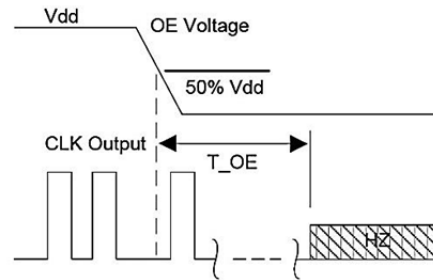


Figure 11: OE Disable Timing (OE Mode Only)

Notes:

- IM810 supports gated output which is accurate within rated frequency stability from the first cycle

Selectable Drive Strength Options
Rise/Fall Time (20% to 80%) vs C_{LOAD} Tables

Rise/Fall Time Typ (nS)					
Drive Strength (C _{LOAD})	5 pF	15 pF	30 pF	45 pF	60 pF
L	12.45	17.68	19.48	46.21	57.82
A	6.50	10.27	16.21	23.92	30.76
R	4.38	7.05	11.61	16.17	20.83
B	3.27	5.30	8.89	12.18	15.75
S	2.62	4.25	7.20	9.81	12.65
D	2.19	3.52	6.00	8.31	10.59
T	1.76	3.01	5.14	7.10	9.15
E	1.59	2.59	4.49	6.25	7.98
U	1.49	2.28	3.96	5.55	7.15
F	1.22	2.10	3.57	5.00	6.46
W	1.07	1.88	3.23	4.50	5.87
G	1.01	1.64	2.96	4.12	5.40
X	0.96	1.50	2.74	3.80	4.98
K	0.92	1.41	2.56	3.52	4.64
Y	0.88	1.34	2.39	3.25	4.32
Q	0.86	1.29	2.24	3.04	4.06
- = Default	0.82	1.24	2.07	2.89	3.82
M	0.77	1.20	1.94	2.72	3.61
N	0.66	1.15	1.84	2.58	3.41
P	0.51	1.09	1.76	2.45	3.24

Rise/Fall Time Typ (nS)					
Drive Strength (C _{LOAD})	5 pF	15 pF	30 pF	45 pF	60 pF
L	8.68	13.59	18.36	32.70	42.06
A	4.42	7.18	11.93	16.60	21.38
R	2.93	4.78	8.15	11.19	14.59
B	2.21	3.57	6.19	8.55	11.04
S	1.67	2.87	4.94	6.85	8.80
D	1.50	2.33	4.11	5.68	7.33
T	1.06	2.04	3.50	4.84	6.26
E	0.98	1.69	3.03	4.20	5.51
U	0.93	1.48	2.69	3.73	4.92
F	0.90	1.37	2.44	3.34	4.42
W	0.87	1.29	2.21	3.04	4.02
- = Default	0.67	1.20	2.00	2.79	3.69
X	0.44	1.10	1.86	2.56	3.43
K	0.38	0.99	1.76	2.37	3.18
Y	0.36	0.83	1.66	2.20	2.98
Q	0.34	0.71	1.58	2.07	2.80
Z	0.33	0.65	1.51	1.95	2.65
M	0.32	0.62	1.44	1.85	2.50
N	0.31	0.59	1.37	1.77	2.39
P	0.30	0.57	1.29	1.70	2.28

Table 1: V_{dd} = +1.8 V Rise/Fall time for Specific C_{LOAD}

Table 2: V_{dd} = +2.5 V Rise/Fall time for Specific C_{LOAD}

Rise/Fall Time Typ (nS)					
Drive Strength (C _{LOAD})	5 pF	15 pF	30 pF	45 pF	60 pF
L	7.93	12.69	17.94	30.10	38.89
A	4.06	6.66	11.04	15.31	19.80
R	2.68	4.40	7.53	10.29	13.37
B	2.00	3.25	5.66	7.84	10.11
S	1.59	2.57	4.54	6.27	8.07
D	1.19	2.14	3.76	5.21	6.72
T	1.00	1.79	3.20	4.43	5.77
E	0.94	1.51	2.78	3.84	5.06
U	0.90	1.38	2.48	3.40	4.50
F	0.87	1.29	2.21	3.03	4.05
W	0.62	1.19	1.99	2.76	3.68
- = Default	0.41	1.08	1.84	2.52	3.36
X	0.37	0.96	1.72	2.33	3.15
K	0.35	0.78	1.63	2.15	2.92
Y	0.33	0.67	1.54	2.00	2.75
Q	0.32	0.63	1.46	1.89	2.57
Z	0.31	0.60	1.39	1.80	2.43
M	0.30	0.57	1.31	1.72	2.30
N	0.30	0.56	1.22	1.63	2.22
P	0.29	0.54	1.13	1.55	2.13

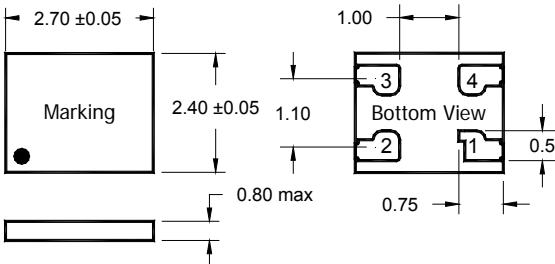
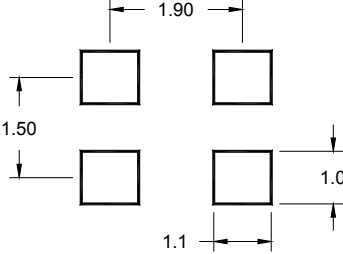
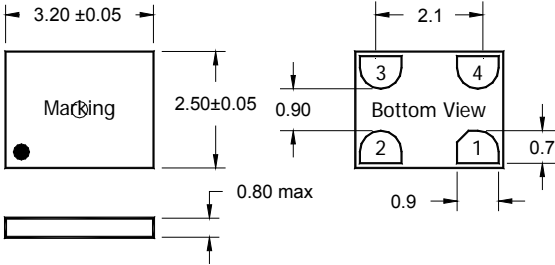
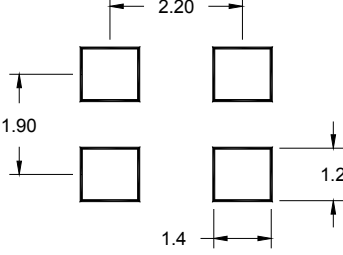
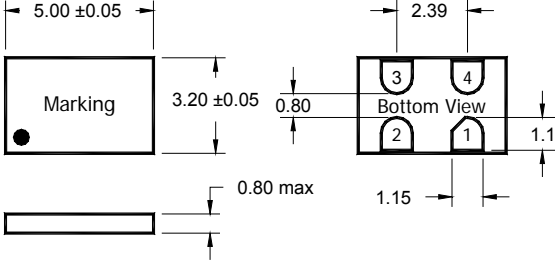
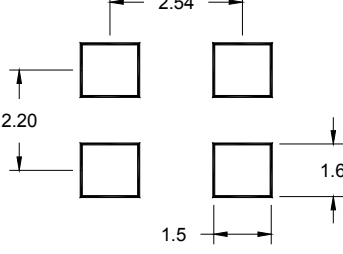
Rise/Fall Time Typ (nS)					
Drive Strength (C _{LOAD})	5 pF	15 pF	30 pF	45 pF	60 pF
L	7.18	11.59	17.24	27.57	35.57
A	3.61	6.02	10.19	13.98	18.10
R	2.31	3.95	6.88	9.42	12.24
B	1.65	2.92	5.12	7.10	9.17
S	1.43	2.26	4.09	5.66	7.34
D	1.01	1.91	3.38	4.69	6.14
T	0.94	1.51	2.86	3.97	5.25
E	0.90	1.36	2.50	3.46	4.58
U	0.86	1.25	2.21	3.03	4.07
- = Default	0.48	1.15	1.95	2.72	3.65
W	0.38	1.04	1.77	2.47	3.31
G	0.36	0.87	1.66	2.23	3.03
X	0.34	0.70	1.56	2.04	2.80
K	0.33	0.63	1.48	1.89	2.61
Y	0.32	0.60	1.40	1.79	2.43
Q	0.32	0.58	1.31	1.69	2.28
Z	0.30	0.56	1.22	1.62	2.17
M	0.30	0.55	1.12	1.54	2.07
N	0.30	0.54	1.02	1.47	1.97
P	0.29	0.52	0.95	1.41	1.90

Table 3: V_{dd} = +2.8 V Rise/Fall time for Specific C_{LOAD}

Table 4: V_{dd} = +3.0 V Rise/Fall time for Specific C_{LOAD}

Mechanical Details:

Package Dimensions and Suggest Land Pattern

<p>Option D: 2.70 x 2.40 Package (100% compatible with 2.50 x 2.00)</p> 	<p>Suggested Land Pattern</p> 
<p>Option C: 3.20 x 2.50 Package</p> 	<p>Suggested Land Pattern</p> 
<p>Option B: 5.00 x 3.20 Package</p> 	<p>Suggested Land Pattern</p> 

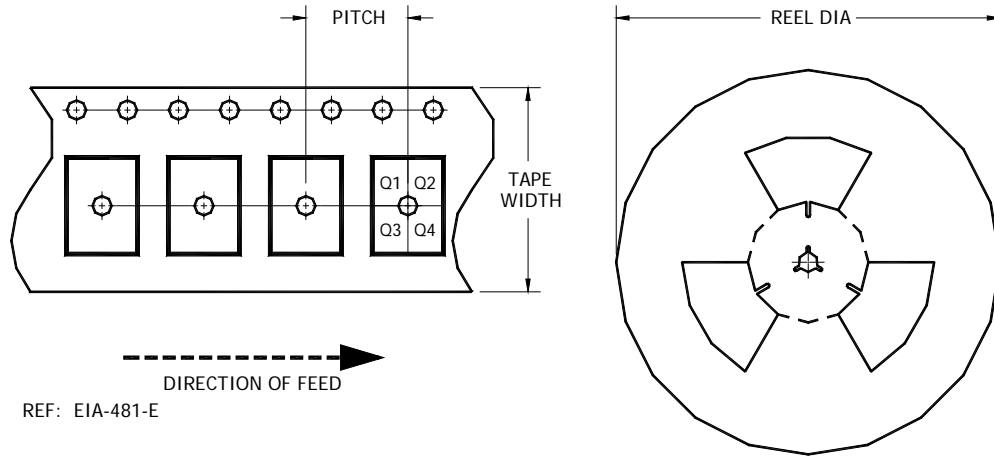
Marking

Line 1 = XXXXX (Lot Code)
Dot to denote Pin 1 location

Package Information

Leadframe: C194
Plating: NiPdAu

Tape and Reel Dimensions



Part Number	Size	Pitch	Tape Width	Pin Orient.	Reel Dia.	Count
IM810B	5.0 x 3.2	8.0 ± 0.1	12.3 max	Q1	180	1000
					330	3000
IM810C	3.2 x 2.5	4.0 ± 0.1	8.3 max	Q1	180	3000
IM810D	2.5 x 2.0	4.0 ± 0.1	8.3 max	Q1	180	3000

Notes:

- All dimensions are in mm.
- Do not scale drawings.

PROPRIETARY AND CONFIDENTIAL

THIS DOCUMENT CONTAINS PROPRIETARY INFORMATION, AND SUCH INFORMATION MAY NOT BE DISCLOSED TO OTHERS FOR ANY PURPOSE NOR USED FOR MANUFACTURING PURPOSES WITHOUT WRITTEN PERMISSION FROM ILSI America.