



Leaded Oscillator, OCXO  
Metal Package, Full Size DIP



I401 Series

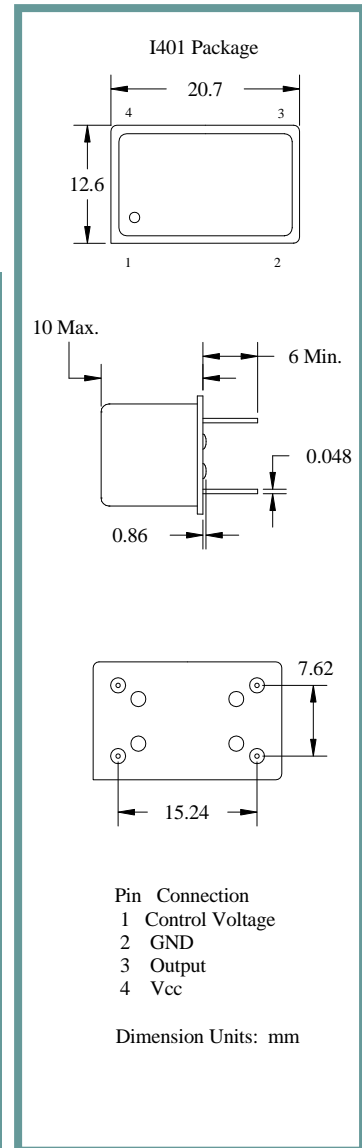
**Product Features:**

Available in Both Sinewave and  
HCMOS/TTL Compatible outputs  
RoHS Compliant

**Applications:**

Telecommunications  
Data Communications  
Instrumentation  
Test and Measurement

<b>Frequency</b>	1.000 MHz to 50.000 MHz
<b>Output Level</b> HC-MOS TTL Sine	'0' = 0.1 Vcc Max., '1' = 4.5 VDC Min. '0' = 0.4 VDC Max., '1' = 2.4 VDC Min. +4dBm, ±3dBm
<b>Duty Cycle</b>	50% ±10% or ±5% See Table
<b>Rise / Fall Time</b>	10 nS Max.
<b>Output Load</b> HC-MOS TTL Sine	See Output Table 15 pF 50 ohms
<b>Frequency Stability</b>	See Frequency Stability Table
<b>Supply Voltage</b>	See Supply Voltage Table
<b>Current (Warm Up) Current @ 25 ° C</b>	400 mA @ 5 VDC, 170 mA @ 12 VDC Max. 120 mA @ 5 VDC, 60 mA @ 12 VDC Typ.
<b>Control Voltage</b>	2.5 VDC ±2.0 VDC, ±8 ppm Min.
<b>Slope</b>	Positive
<b>Operating</b>	See Operating Temperature Table in Part Number Guide
<b>Storage</b>	-55° C to +125° C



Part Number Guide		Sample Part Number: I401-5151YV-20.000 MHz					
Package	Input Voltage	Operating Temperature	Symmetry (Duty Cycle)	Output	Frequency Stability (in ppm)	Voltage Control	Frequency
I401 -	3 = 3.3 V	7 = 0° C to +50° C	5 = 45 / 55 Max.	1 = 10 TTL / 15pF HC-MOS	N = ±1.0	V = Controlled	-20.000 MHz
	5 = 5.0 V	1 = 0° C to +70° C	6 = 40 / 60 Max.	3 = 15pF HC-MOS	Y = ±0.5	F = Fixed	
	9 = 12 V	6 = -10° C to +75° C		6 = 30pF	1 = ±0.25		
		3 = -20° C to +70° C		A = Sine	2 = ±0.1		
					3 = ±0.05*		

NOTE: A 0.01 µF bypass capacitor is recommended between Vcc (pin 4) and GND (pin 2) to minimize power supply noise.  
\* Frequency, supply, and load related parameters.



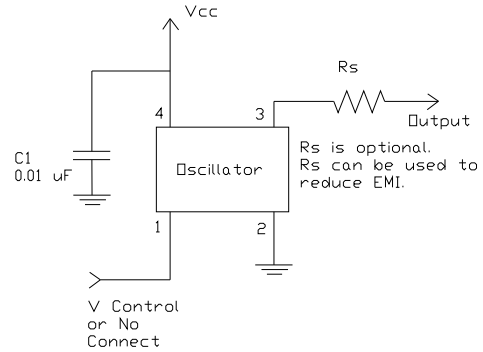
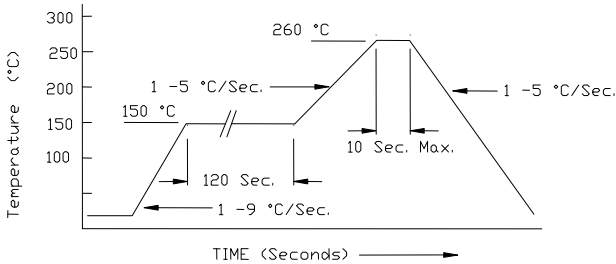
Leaded Oscillator, OCXO  
Metal Package, Full Size DIP



1401 Series

**Pb Free Solder Reflow Profile:**

**Typical Application:**



\*Units are backward compatible with 240C reflow processes

**Package Information:**

MSL = N.A. (package does not contain plastic, storage life is unlimited under normal room conditions).  
Termination = e1 (Sn / Cu / Ag over Ni over Kovar base metal).

**Environmental Specifications**

Thermal Shock	MIL-STD-883, Method 1011, Condition A
Moisture Resistance	MIL-STD-883, Method 1004
Mechanical Shock	MIL-STD-883, Method 2002, Condition B
Mechanical Vibration	MIL-STD-883, Method 2007, Condition A
Resistance to Soldering Heat	J-STD-020C, Table 5-2 Pb-free devices (except 2 cycles max)
Hazardous Substance	Pb-Free / RoHS / Green Compliant
Solderability	JESD22-B102-D Method 2 (Preconditioning E)
Terminal Strength	MIL-STD-883, Method 2004, Test Condition D
Gross Leak	MIL-STD-883, Method 1014, Condition C
Fine Leak	MIL-STD-883, Method 1014, Condition A2, R1=2x10-8 atm cc/s
Solvent Resistance	MIL-STD-202, Method 215

**Marking**

Line 1: ILSI and Date Code  
Line 2: XXXXXX (Part Number detail = I401-XXXXXX-Freq.)  
Line 2: Frequency